

Dec. 24, 1963

J. S. KILBY

3,115,581

MINIATURE SEMICONDUCTOR INTEGRATED CIRCUIT

Filed May 6, 1959

2 Sheets-Sheet 1

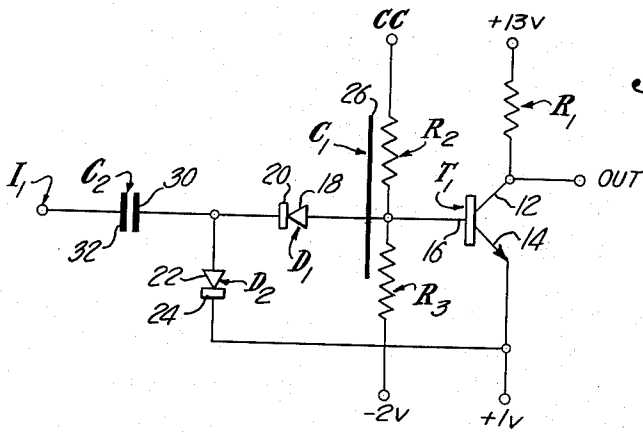


Fig. 1.

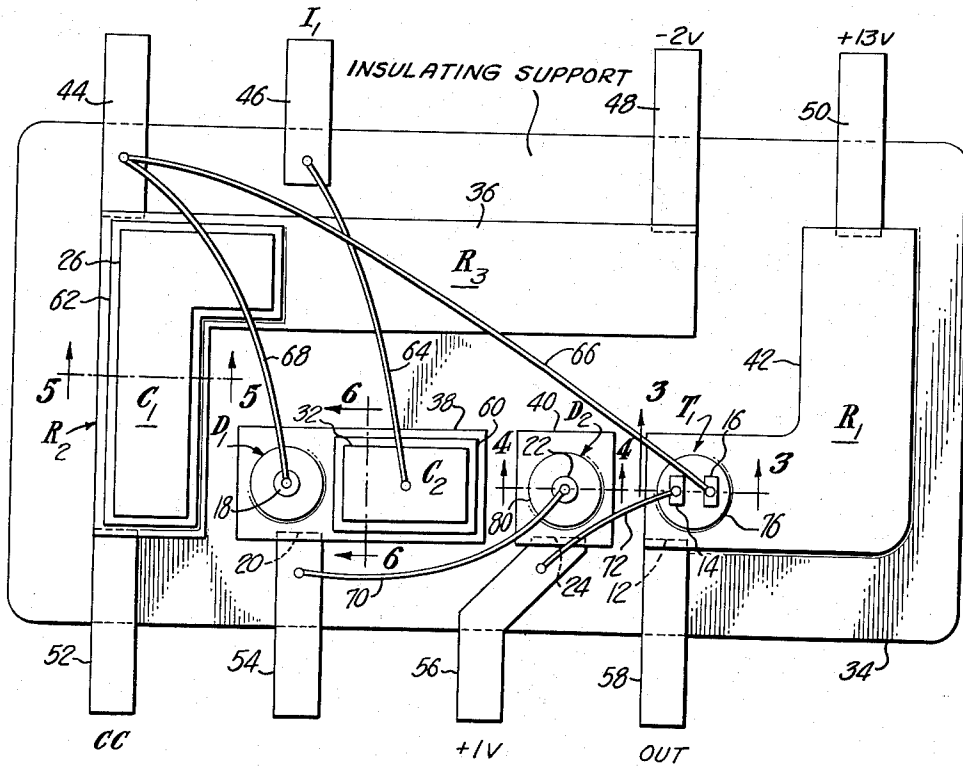


Fig. 2.

INVENTOR

Jack S. Kilby

BY

Stevens, Davis, Miller & Mosher  
ATTORNEYS